



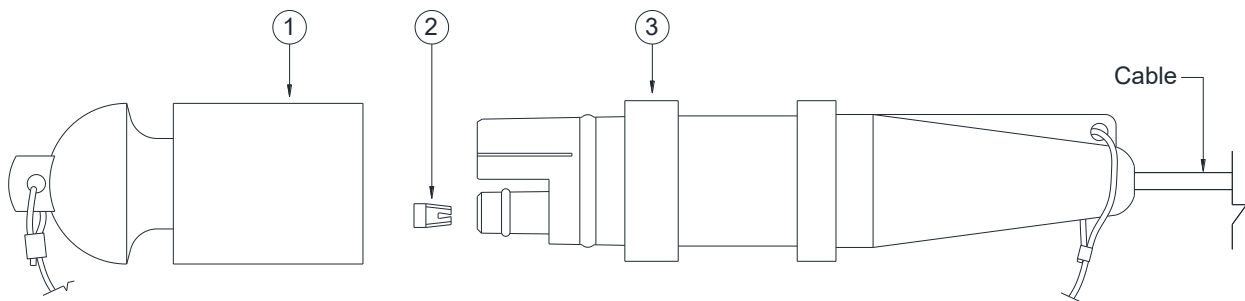
HGS (INDIA) LIMITED



HGS-5515 Male & Female (PUP) Push Fit Connector

SCHEMATIC

HGS-5515 Male (PUP) Push Fit Connector



3	CONNECTOR BODY SUB ASSY.	01 No.
2	MILL-MAX #08	01 No.
1	DUST CAP WITH WIRE ROPE & FERRULE	01 No.
S. NO.	DESCRIPTION	QTY

158, Sector-4, IMT Manesar, Gurugram-122050, Haryana, INDIA

Tel: +91 (0124) 4681800

Email: sales@hgsindia.com



HGS (INDIA) LIMITED



SPECIFICATIONS

HGS-5515 Male (PUP) Push Fit Connector

- Connector with 1 set of male & female contacts
- Impact Resistant Material.
- Moulded on 4.57, 5.33 or 6.35 mm cable
- Male end connector assures mating with its counterpart
- Water proof for marsh environment
- Gold plated pins & sockets assure positive electrical connections
- Screw fit mating
- Maximum strength in rugged field condition
- Fitted with dust cap
- Operating Temperature Range: -20°C to +70°C
- Pressure Rating: Up to 3 bar

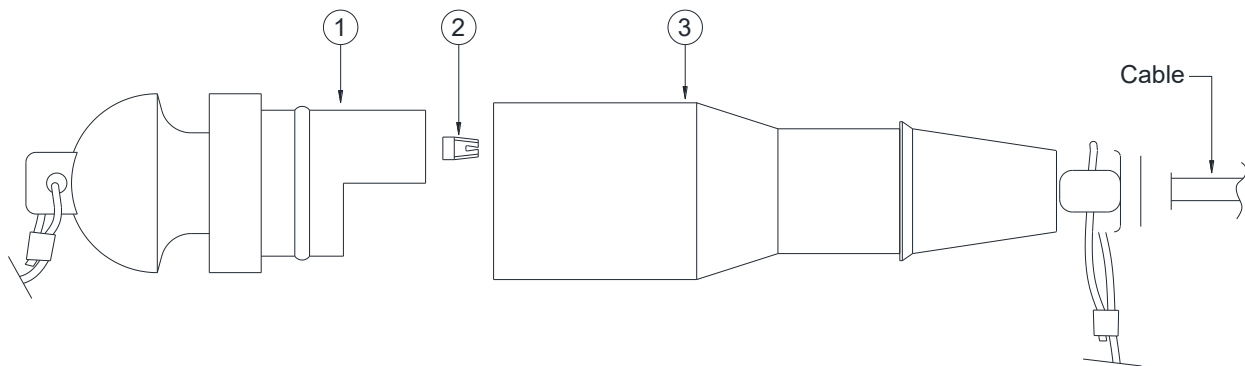


HGS (INDIA) LIMITED



SCHEMATIC

HGS-5515 Female (PUP) Push Fit Connector



3	CONNECTOR BODY SUB ASSY.	01 No.
2	MILL-MAX #08	01 No.
1	DUST CAP WITH WIRE ROPE & FERRULE	01 No.
S. NO.	DESCRIPTION	QTY

158, Sector-4, IMT Manesar, Gurugram-122050, Haryana, INDIA

Tel: +91 (0124) 4681800

Email: sales@hgsindia.com



HGS (INDIA) LIMITED



SPECIFICATIONS

HGS-5515 Female (PUP) Push Fit Connector

- Connector with 1 set of male & female contacts
- Impact Resistant Material
- Moulded on 4.57, 5.33 or 6.35 mm cable
- Female end connector assures mating with its counterpart's
- Water proof for marsh environment
- Gold plated pins & sockets assure positive electrical connections
- Screw fit mating
- Maximum strength in rugged field condition
- Fitted with dust cap
- Operating Temperature Range: -20°C to +70°C
- Pressure Rating: Up to 3 bar

Version 1.2